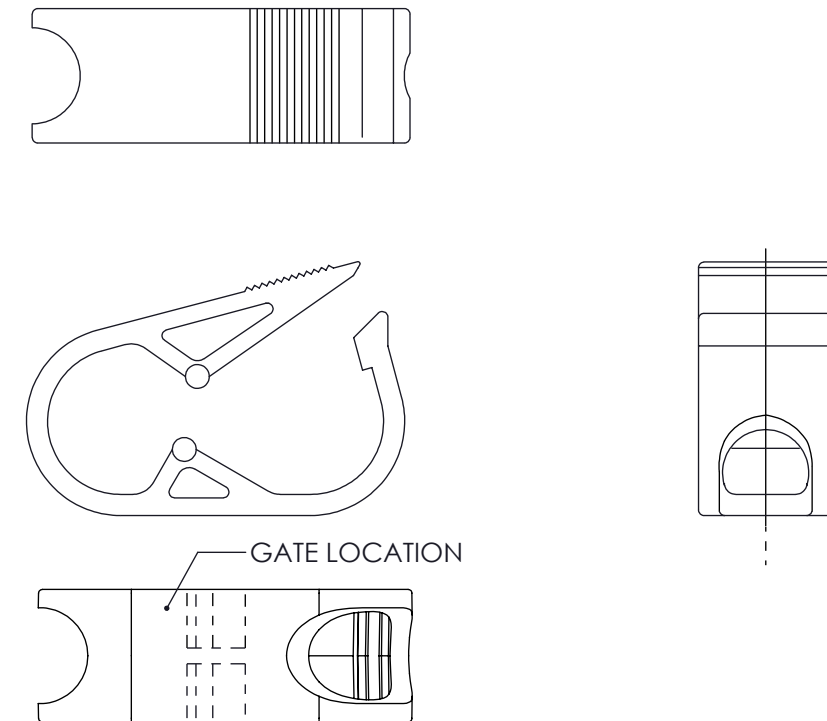
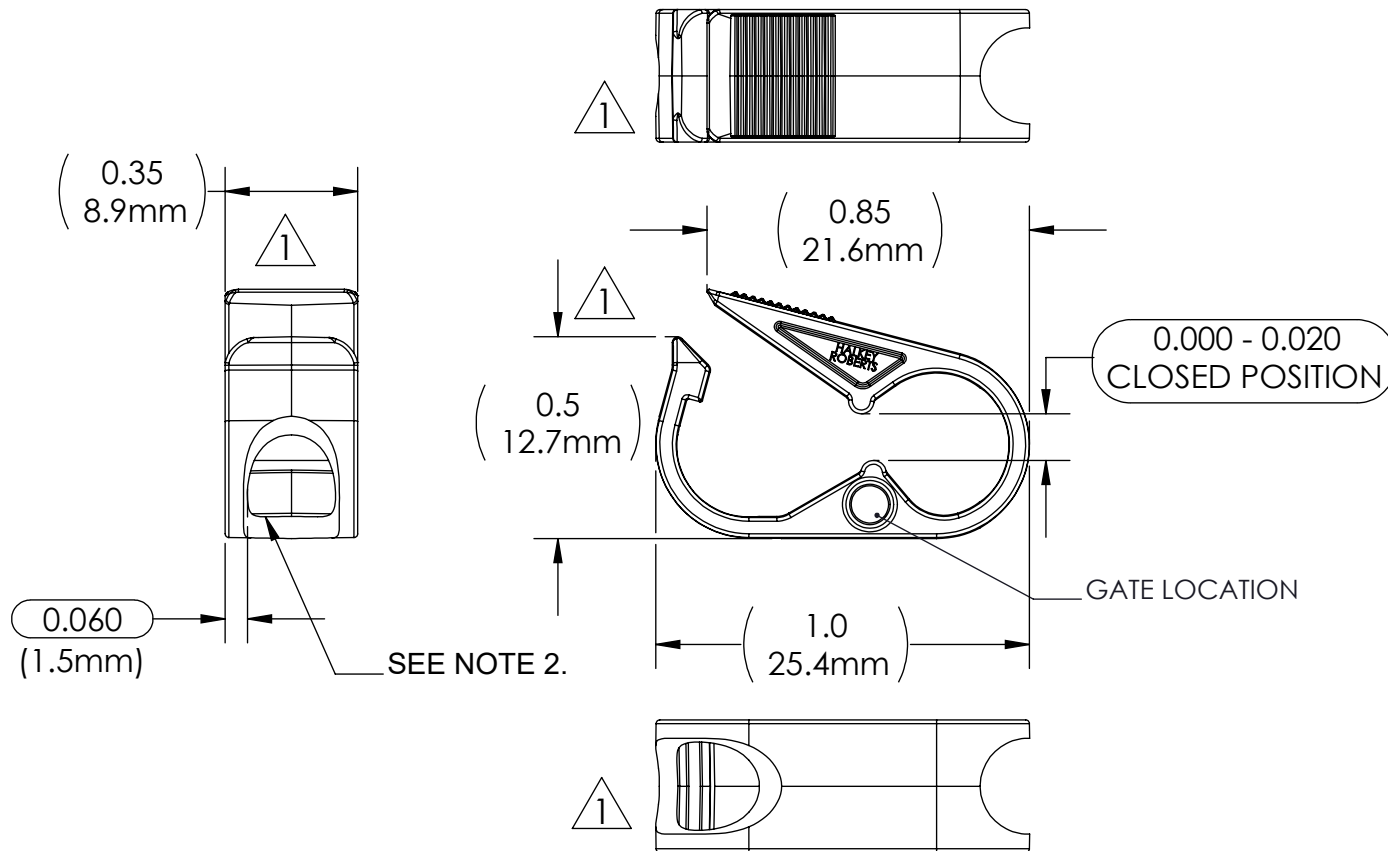


REV	DESCRIPTION (ECO)	DATE	APPROVED
AF	ADD HOSTAFORM MAT. SUFFIX OPTIONS ECO 12941	02/25/25	DK
AG	UPDATING ABS 348 TO LUSTRAN 348 ECO 13174	01/15/26	JS



NOTES:

- ① VIEWS SHOWN OF ALTERNATE GATE LOCATION, AND RADIUS CONFIGURATION.
- 2. MAX TUBING DIAMETER ( 0.25" ).
- 3. CRITICAL DIMENSION ARE CIRCLED AND SUBJECT TO INSPECTION.
- 4. DIMENSIONS IN PARENTHESES ARE FOR REFERENCE ONLY.
- 5. ALL DIMENSIONS ARE IN INCHES WITH NOMINAL DIMENSIONS IN MILLIMETERS SHOWN BELOW.

6. HR TUBING CLAMPS ARE SINGLE PATIENT USE MEDICAL COMPONENTS INTENDED TO BE INCLUDED AS PART OF THE FINISHED DEVICE, I.E. IV ADMINISTRATION SETS. HR TUBING CLAMPS ARE MANUFACTURED TO HR SPECIFICATIONS, SOLD BULK, NON-STERILE TO OEMS. BECAUSE THE CONFIGURATIONS OF IV TUBING VARY DRAMATICALLY, HR CANNOT MAKE ANY PARTICULAR CLAIMS. CUSTOMERS MUST VALIDATE CLAMPS FOR THEIR INTENDED USE, ENSURING THAT THE CLAMPS EFFECTIVELY OCCLUDE THE INHERENT VARIATION OF THE PARTICULAR TUBING EMPLOYED BY THE CUSTOMER AGAINST THE CLOSED GAP RANGE PROVIDED ON HR'S SPECIFICATIONS. OEM MANUFACTURING PROCESSES (SUCH AS ASSEMBLY PROCESSES, PACKAGING AND STERILIZATION) CAN SIGNIFICANTLY ALTER THE CLAMPS' FUNCTIONALITY; THEREFORE, HR CANNOT GUARANTEE THE PERFORMANCE OF THE FINAL CONFIGURATION.

SUFFIX "X" INDICATES MATERIAL & COLOR:

- |                   |                    |
|-------------------|--------------------|
| CELCON M270:      | HOSTAFORM MT24U01: |
| NO SUFFIX - WHITE | HF - WHITE         |
| B - BLUE          | HFB - BLUE         |
| R - RED           | HFR - RED          |
| BK - BLACK        | HFBK - BLACK       |
| CR - CREAM        | HFCR - CREAM       |
| YL - YELLOW       | HFYL - YELLOW      |
| PL - PURPLE       | HFPL - PURPLE      |

QUALITY CRITERIA

O.D. FLASH 0.020 MAX. (0.5mm)
GATE VESTIGE 0.01 MAX. (0.3mm)
EMBEDDED PARTICLES, BUBBLES, SPOTS, STAINS: 0.3mm <sup>2</sup> MAX. NO MORE THAN 5 PER PART.

LUSTRAN 348:

- 2002W - WHITE ABS
- 248R - RED ABS
- 248G - GREEN ABS
- 248Y - YELLOW ABS

**MOLDED PARTS:**  
GATES, PARTING LINES, AND FLASH PER QUALITY CRITERIA

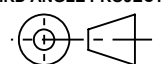
**PROPRIETARY AND CONFIDENTIAL**  
THE INFORMATION CONTAINED IN THIS DRAWING IS SOLE PROPERTY OF HALKEY-ROBERTS CORPORATION, ST. PETERSBURG, FL. ANY REPRODUCTION IN PART OR AS A WHOLE WITHOUT THE WRITTEN PERMISSION OF HALKEY-ROBERTS CORPORATION IS PROHIBITED.

<b>DRAWN BY</b>	M.S.	<b>DATE</b>	07/20/88
<b>APPROVED BY</b>	J.W.	<b>DATE</b>	07/20/88
<b>MATERIAL</b>	SEE NOTE		
<b>FINISH</b>	N/A		
<b>UNLESS OTHERWISE SPECIFIED:</b>		<b>THIRD ANGLE PROJECTION</b>	
DIMENSIONS ARE IN INCHES			
TOLERANCES:			
ANGULAR: ± 1°			
TWO PLACE DECIMAL ± .01			
THREE PLACE DECIMAL ± .005			

<b>HR® Halkey-Roberts®</b>		<b>TUBING CLAMP</b>	
		<b>SIZE</b>	<b>REV</b>
<b>DRAWING NO.</b>		<b>C340TCSX</b>	<b>AG</b>
<b>SCALE</b>	<b>DO NOT SCALE DRAWING</b>	<b>SHEET</b>	<b>1 OF 2</b>

BILL of Materials:

CELCON M270 & COLORANT	HOSTAFORM MT24U01 & COLORANT	LUSTRAN 348 & COLORANT
SUFFIX "X" B- Blue: Celcon M90-07 CG3671K20 NONE - Natural: N/A R - Red: Ticona PL - Purple: Chroma Color 2607C YL - Yellow: Celcon M90-07 CL34074K20 CR - Cream: Celcon M90-07 CB34075K20 BK - Black: Celcon M90-07 CD34073K20	SUFFIX "X" HFB - MT24U01 MT24U01CG3671K20 HF - MT24U01 HFR - MT24U01 MT24U01CS3067K20 HFPL - MT24U01 MT24U01PURP2607C HFYL - MT24U01 MT24U01CL34074K20 HFCR - MT24U01 MT24U01CB34075K2 HFBK - MT24U01 MT24U01CD34073K20	SUFFIX "X"  2002W - WHITE 348012002 248R - RED 34800000 CABS18445 248G - GREEN 34800000 CABS18445 248Y - YELLOW 34800000 CC10258016WE

<b>DRAWN BY</b>	M.S.	<b>DATE</b>	07/20/88	<b>HR® Halkey-Roberts®</b>
<b>APPROVED BY</b>	J.W.	<b>DATE</b>	07/20/88	
<b>MATERIAL</b>	SEE NOTE			<b>TITLE</b>
<b>FINISH</b>	N/A			<b>TUBING CLAMP</b>
<b>UNLESS OTHERWISE SPECIFIED:</b>	THIRD ANGLE PROJECTION			<b>SIZE</b>
DIMENSIONS ARE IN INCHES				<b>B</b>
TOLERANCES:				<b>DRAWING NO.</b>
ANGULAR: ± 1°				<b>C340TCSX</b>
TWO PLACE DECIMAL ± .01				<b>REV</b>
THREE PLACE DECIMAL ± .005				<b>AG</b>
				<b>SCALE</b>
				<b>1:1</b>
				<b>DO NOT SCALE DRAWING</b>
				<b>SHEET</b>
				<b>2 OF 2</b>

**MOLDED PARTS:**  
GATES, PARTING LINES, AND FLASH PER QUALITY CRITERIA

**PROPRIETARY AND CONFIDENTIAL**  
THE INFORMATION CONTAINED IN THIS DRAWING IS SOLE PROPERTY OF HALKEY-ROBERTS CORPORATION, ST. PETERSBURG, FL. ANY REPRODUCTION IN PART OR AS A WHOLE WITHOUT THE WRITTEN PERMISSION OF HALKEY-ROBERTS CORPORATION IS PROHIBITED.